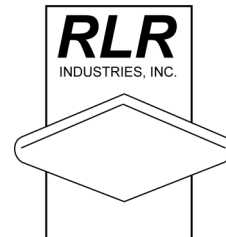


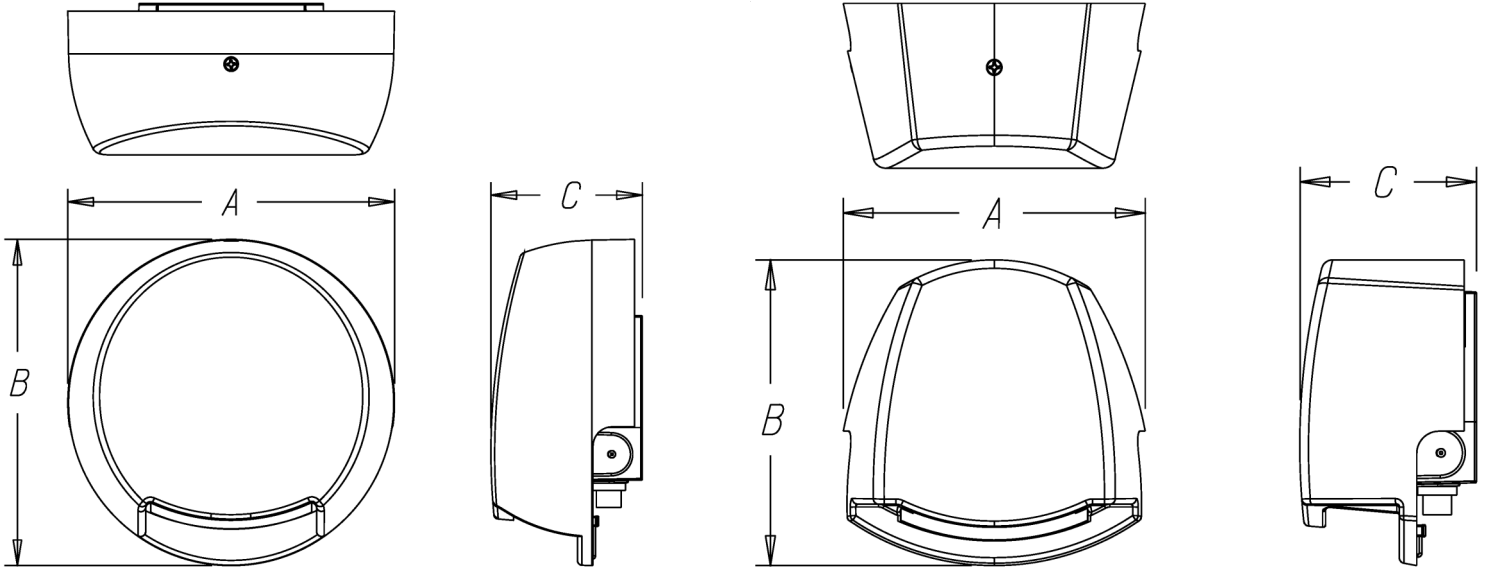
Archcast Round and Wedge Die Cast Mini-Packs



- Distinctive Architecturally styled Round and Wedge Shapes
- Applications include Doorways, Interior Wall and Exterior Wall and Column mounts
- Utilizes Popular LED COB Arrays or Custom Designed Arrays
- ADA Compliant
- Ability to use Photocell and 10 KVA Surge Suppressor
- Ability to accept side access conduit
- Turnkey Wired version also available. CSA Wet Location Approved # 249076.
- Turnkey Wired version supplied with constant current multi-volt driver and multi-chip array (see back of brochure for photometric data)
- Co-listing File available for use by OEM's
- Also available unwired, for customization by OEM's

575 Discovery Place Mableton, GA 30126 USA
Tel. 770.948.6069 Fax. 770.948.1389
www.rlrllighting.com

Round and Wedge Mini Pack Dimensions



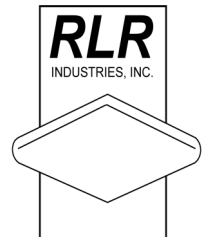
Model (Unwired)	A	B	C
MP-RD-BZ-AC	8.47"	8.47"	3.95"
MP-WG-BZ-AC	6.76"	6.83"	3.95"

Turnkey Pack: 1 complete fixture per carton, individual fixture cartons master packed – 4 per master carton

Unwired Pack: 20 Front Fascias per carton, 20 internal housings per separate carton

**INNOVATION. QUALITY. SERVICE. DEDICATION.
FOR THE LIGHTING INDUSTRY.**

**575 Discovery Place Mableton, GA 30126 USA
Tel. 770.948.6069 Fax. 770.948.1389
www.rlrlighting.com**



Mini Pack Suggested Maximum Wattages

Model (Unwired)	Description	LED Wattage
MP-RD-BZ-AC	Round Mini Wallpack, Clear Acrylic Lens	Up to 1 12W COB LED or Custom Array
MP-WG-BZ-AC	Wedge Mini Wallpack, Clear Acrylic Lens	Up to 1 12W COB LED or Custom Array

Above wattages are suggestions only. For unwired versions, OEM is responsible for all certification and testing of completed LED luminaires.

Turnkey Wired Fixtures

Turnkey wired units are available for use by OEM's. Fixtures supplied with 12 watt universal voltage LED constant current driver and Multi-Chip Array, utilizing Nichia LED chips.

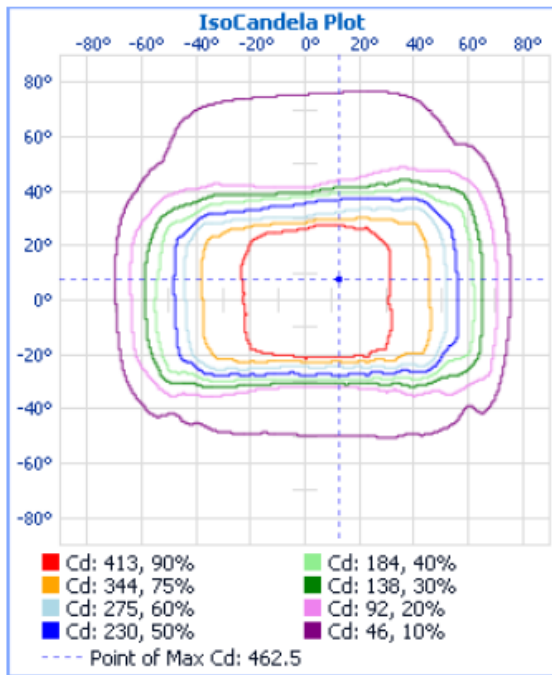
Delivered Lumens: 825 lm for Round, 890 lm for Wedge

Model (Unwired)	Description
MPRD	LED array Only
MPRD-PC-120V	LED array with 120V photocell
MPRD-PC-277V	LED array with 277V photocell
MPRD-SP-120V	LED array with 120V surge protector
MPRD-SP-277V	LED array with 277V surge protector
MPRD-PC-SP-120V	LED array with 120V photocell and 120V surge protector
MPRD-PC-SP-277V	LED array with 277V photocell and 277V surge protector

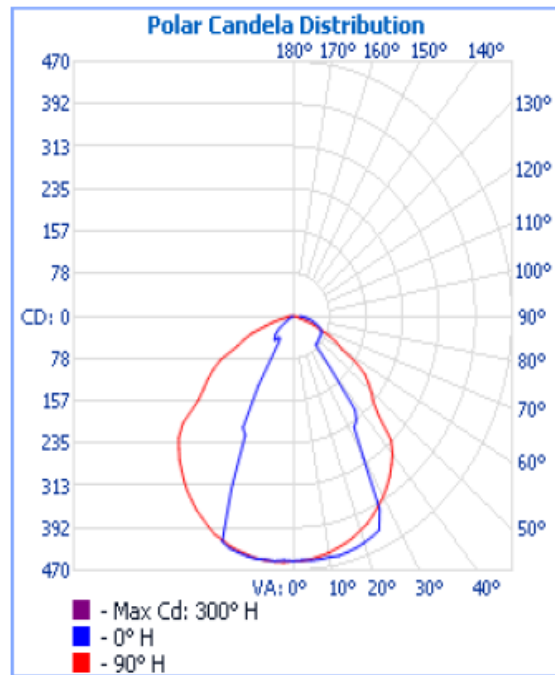
For Wedge Version, Substitute 'WG' for 'RD' in above chart.

*All specifications, finishes, and details subject to change. Please consult factory for specification & detail confirmations if required.

Mini Pack Preliminary Photometric Data (6/2015)



IsoCandela Plot



Polar Candela Distribution

Coefficients Of Utilization - Zonal Cavity Method

RCC %:	Effective Floor Cavity Reflectance: 20%																							
	80				70				50				30				10				0			
RW %:	20	50	30	0	20	50	30	0	50	30	20	0	50	30	20	0	50	30	20	0	50	30	20	0
RCR: 0	1.19	1.19	1.19	1.19	1.16	1.16	1.16	1.00	1.11	1.11	1.11	1.06	1.06	1.06	1.06	1.02	1.02	1.02	1.02	1.02	1.02	1.02	1.02	1.00
1	1.10	1.06	1.03	.99	1.08	1.04	1.01	.88	1.00	.97	.95	.96	.94	.92	.92	.93	.91	.89	.89	.89	.89	.89	.89	.87
2	1.02	.95	.89	.84	1.00	.93	.88	.77	.90	.85	.81	.87	.83	.80	.80	.84	.81	.78	.78	.78	.78	.78	.78	.76
3	.95	.85	.78	.73	.92	.84	.77	.68	.81	.75	.71	.78	.74	.70	.70	.76	.72	.69	.69	.69	.69	.69	.69	.67
4	.88	.77	.70	.64	.86	.76	.69	.60	.74	.67	.62	.71	.66	.62	.62	.69	.65	.61	.61	.61	.61	.61	.61	.59
5	.81	.70	.62	.56	.80	.69	.62	.54	.67	.60	.55	.65	.59	.55	.55	.63	.58	.54	.54	.54	.54	.54	.54	.52
6	.76	.64	.56	.50	.74	.63	.56	.49	.61	.55	.50	.60	.54	.49	.49	.58	.53	.49	.49	.49	.49	.49	.49	.47
7	.71	.59	.51	.45	.69	.58	.51	.44	.57	.50	.45	.55	.49	.45	.45	.54	.48	.44	.44	.44	.44	.44	.44	.43
8	.66	.54	.46	.41	.65	.54	.46	.40	.52	.46	.41	.51	.45	.41	.41	.50	.45	.40	.40	.40	.40	.40	.40	.39
9	.62	.50	.43	.38	.61	.50	.42	.37	.49	.42	.37	.48	.42	.37	.37	.47	.41	.37	.37	.37	.37	.37	.37	.35
10	.59	.47	.39	.35	.58	.46	.39	.34	.45	.39	.34	.44	.38	.34	.34	.43	.38	.34	.34	.34	.34	.34	.34	.32

Test Results – Flux Distribution – Zonal Lumen Summary		
The following table depicts the zonal lumen distribution for the sample:		
Zone	Lumens	% Total
0-10	43.2	4.9%
10-20	126.6	14.5%
20-30	184.3	21.1%
30-40	178.2	20.4%
40-50	142.0	16.2%
50-60	97.4	11.1%
60-70	58.4	6.7%
70-80	29.8	3.4%
80-90	14.3	1.6%
Total	874.2 LUMENS	100%
Zonal Lumens Summary		
Zone	Lumens	% Luminaire
0-30	354.1	40.5%
0-40	532.3	60.9%
0-60	771.7	88.3%
60-90	102.4	11.7%
0-90	874.2	100%