



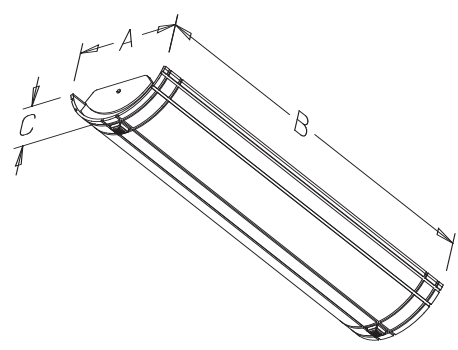
Medallion Cloud

LIN012-X

DESCRIPTION

A formed etched diffuser is combined with medallion metallic accents to create a luminaire component set for modern décor installations.

Pack: Bulk Per Order



DIMENSIONS

Nominal Size	A	B	C
K	11.00"	25.00"	4.00"
N	11.00"	37.00"	4.00"
G	11.00"	49.00"	4.00"

ORDERING INFORMATION

Example: LIN012-A, Medallion Cloud, Size 'A', With Etched White Acrylic Diffuser

Series	Size	Finishes	Mounting
LIN012	K-1' x 2' N-1' x 3' G-1' x 4'	White With 2-Tone Ends	L3 (Screw & Clip on 3-Lite Narrow Strip)