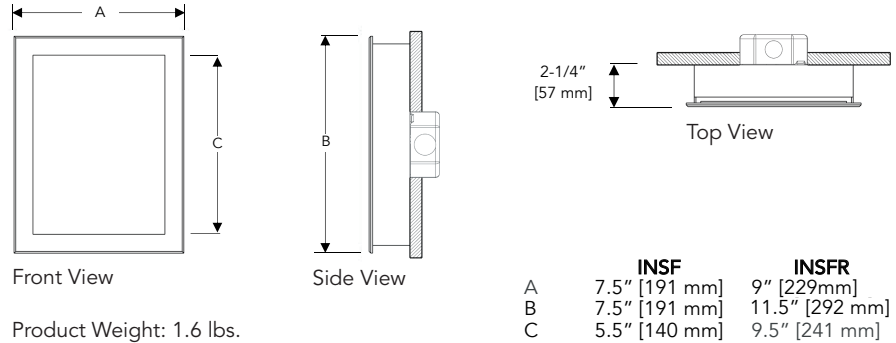




Catalog #: Type:
 Project: Date:
 Prepared By:
 Comments:



FEATURES

The Insert Frame wall sconce presents a unique rectilinear form to applications including hotels, restaurants, residential and other leisure applications. The opaque perimeter frame provides visual contrast to the uniformity of the center and perimeter diffusers. Available in a variety of configurations and finish options.

MECHANICAL

- Standard 20-gauge light engine housing compatible with all available shades.

OPTICAL

- Available in square (INSF) and rectangular (INSFR) shapes.
- 100% acrylic non-yellowing lenses with DR additive.
- Sonically and chemically welded joints will not yellow.
- Milky white perimeter diffuser lens.
- Inner lens face surface available in white satin finish or with 100% polyester fabric fused to acrylic sheet, available in a variety of patterns.
- Highly customizable with custom inner lens inserts.
- Painted opaque acrylic frame available in satin white or faux metallic nickel or bronze.
- Washable with mild soap and water.
- Custom shapes, designs & finishes also available.
- 3000K, 90CRI¹

ELECTRICAL

- Integral electronic driver.
- 120V, 60 Hz.¹
- Dimmable to 10% via standard Triac dimmer.

MOUNTING

- Faces mechanically attach to housing with tool-less fasteners. INSFR face can be oriented either vertically or horizontally.
- Mounts to standard 4" recessed j-box (by others).

CERTIFICATIONS

- UL damp listed to US and Canadian safety standards.
- Meets Energy Star requirements.
- Compliant with JA8-2019 requirements of California Title 24, Americans with Disabilities Act (ADA), & RoHS.

WARRANTY

- 5-year limited warranty.

(1) Contact Sales at Sales@rlrindinc.com for non-cataloged & custom configurations.

TECHNICAL

L70 Life:	>54,000 hours
Color Consistency:	5-Step SDCM
Max. Ambient Temperature:	45° C
Min. Starting Temperature:	-20° C
Sound Rating:	Class A
Power Factor:	>0.90
THD:	<20%

LIGHT ENGINE DATA

	Light Engine Lumens ²	Input Power	Light Engine Efficacy	120V Current
17W	1,530 lm	16.9 W	90.6 LPW	0.14 A

(2) Luminaire lumens are lower due to optical losses from shade.

ORDERING INFORMATION

Example: 17W-3090-WM-INSFR-217-104

17W	-	3090	-	WM	-	INSFR	-	217	-	104
-----	---	------	---	----	---	-------	---	-----	---	-----

WATTAGE
17W

LED COLOR¹
3000K, 90CRI

MOUNTING
WM = Wall
Mount

FACE STYLE
INSF = Insert
Frame
Square
INSFR = Insert
Frame
Rect.

CENTER LENS FINISH
(See photos below)
217 = White Satin
555 = Jute
655 = Double laminated
Jute²
558 = White Linen²
658 = Double laminated
White Linen²

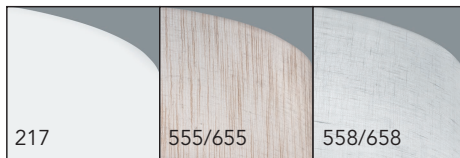
FRAME FINISH
(See photos below)
010 = Opaque Metallic Nickel
104 = Opaque Metallic Bronze
118 = Opaque White

Highly customizable with
custom lens inserts.

(1) Contact Sales at Sales@rlrindinc.com for non-cataloged & custom configurations.

(2) Double laminated finish provides 2nd outer layer of clear acrylic with light texture for improved wipe-down and reduced dirt accumulation.

CENTER LENS FINISH



217
White
Satin

555/655
Jute

558/658
White
Linen

FRAME FINISH



010
Opaque
Metallic
Nickel

104
Opaque
Metallic
Bronze

118
Opaque
White

COMPATIBLE DIMMER LIST

The following dimmers have been tested and verified as compatible. Additional dimmers may be compatible but have not been tested.

Lutron MACL-153M	Leviton IPL06-10Z
Lutron TGCL-153P	Leviton 6674-POW
Lutron CTCL-153P	Leviton 6672-1LW
Lutron PD-6WCL	Leviton DLS06-1LZ

RLR Industries, Inc.
575 Discovery Place
Mableton, GA 30126

www.rlrindinc.com
Sales Inquiries: Sales@rlrindinc.com
770-948-6069