




### IMPORTANT SAFETY INFORMATION



**Before you begin.** Read these instructions completely & carefully.

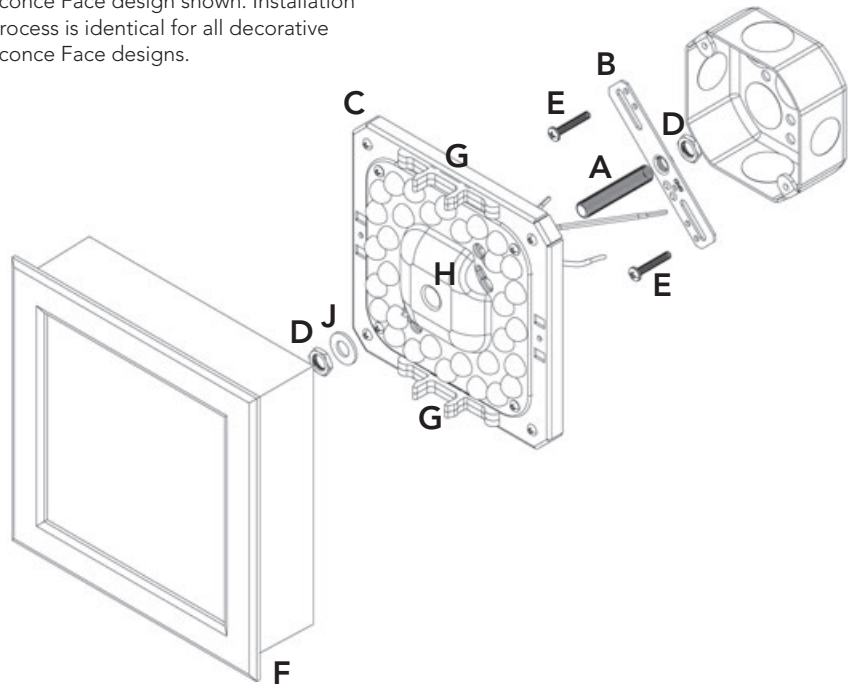
-  **WARNING Risk of electrical shock.** Disconnect power before installing or servicing luminaire.
-  **WARNING Risk of injury or damage.** Follow installation instructions, NEC, local codes & best trade knowledge.
-  **WARNING Risk of injury.** Wear safety glasses and gloves during installation and servicing.

Follow these instructions and any/all information on product label(s) regarding installation near combustible materials, insulation, & building materials & in wet or damp locations. Do not install in areas exposed to combustible vapors or gases. **All installation & servicing must be performed by qualified personnel. Assure proper grounding to avoid potential electrical shock or other potential hazard. Only install in compliance with the National Electrical Code & local codes in a manner consistent with intended product use.** Use of accessory equipment & installation inconsistent with these instructions not recommended & may cause an unsafe condition. Do not completely or partially block light emerging from product or allow other items to come into contact with this product, as this could cause an unsafe condition. **WARNING:** This product may contain chemicals known to the State of California to cause cancer, birth defects and/or other reproductive harm. Thoroughly wash hands after installing, servicing, handling, cleaning, or otherwise touching this product.

### SURFACE-MOUNT INSTALLATION

**Note:**

This drawing depicts a generic decorative Sconce Face design shown. Installation process is identical for all decorative Sconce Face designs.



- Step 1:** Thread Mounting Bracket (B) onto Threaded Rod (A). Threaded Rod should extend forward from Mounting Bracket approximately 1" toward Light Engine (C).
- Step 2:** Install Hex Nut (D) on J-box side of Threaded Rod and tighten against Mounting Bracket (B).
- Step 3:** Secure Mounting Bracket (B) to J-Box using the two 1-3/4" long mounting bolts (E) provided. Alternatively, contractor can secure light engine directly to J-box using keyhole slots provided if desired.
- Step 4:** Firmly press on center face of clear plastic lens (H) to remove knockout from Light Engine (C).
- Step 5:** Connect black power wire, white neutral wire and green/yellow striped ground wire of the Light Engine (C) to J-Box wiring using wire nuts provided and tuck all wiring into J-Box.
- Step 6:** Install Light Engine (C) by inserting front of Threaded Rod (A) through hole (H) in center of Light Engine created by knockout removal of Step 4. Secure Light Engine to Threaded Rod with clear plastic washer (J) and one Hex Nut (D).
- Step 7:** Assure that light engine is level with floor. Light Engine can be adjusted to level as necessary to compensate if the J-box is not perfectly straight.
- Step 8:** Snap decorative sconce Face (F) onto the two white plastic Mounting Clips (G) of the Light Engine (C).