

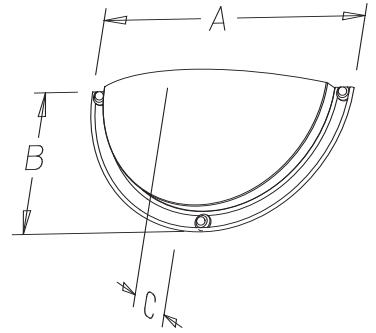


Wrought Iron Sconce

SC008-XXX-XXX-XXX

A half round sconce with faux iron bar trim accentuated with finials and a choice of sanded or smooth white acrylic diffuser.

Pack: Bulk Per Order



Companion Housing **RLRHOPSC2** Available.

DIMENSIONS

A	B	C
17.375"	9.00"	4.00"

ORDERING INFORMATION

Example: SC008-102-011-SBF, Keystone Sconce With Travertine Finish on Trim, Brushed Brass Finials, and Sanded White Acrylic Diffuser

Series	Trim Finishes	Finial Finishes	Diffuser Finishes	Mounting
SC008	117 -Flat Black 106 -Solid Gold 107 -Solid Silver	010 -Brushed Nickel 011 -Brushed Brass	SBF -Sanded Blank -Smooth	S5 (Lens Mounts to Housing Via Threaded Studs)