



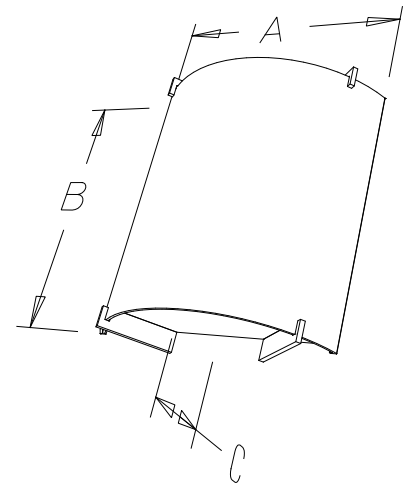
Modular Prong Shield Sconce

SC024-XXX-XXX

DESCRIPTION

Clear Sanded acrylic end caps and matching colored prong set is mated with a clear diffuser with a choice of paper or fabric inserts or optional laminated finishes.

Pack: Bulk Per Order



Companion Housing **RLRHOPSC3** Available.

DIMENSIONS

A	B	C
10.40"	11.63"	3.80"

ORDERING INFORMATION

Example: SC024-PBN-401, Modular Prong Shield Sconce, Solid Bronze Prongs, Whimsy White Lens Insert

Series	Prong Finishes	Mounting
SC024	BN-Nickel AB-Bronze CA-Clear MAP-Maple	Select Finish from Paper and Fabric Finishes S2 (Lens Mounts to Housing Via Top and Bottom Screws)