

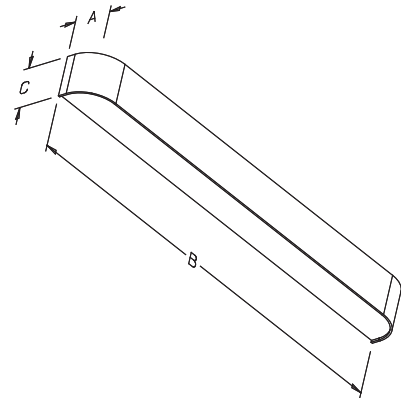
# Curved End Vanity

**VAN001-X-XXX-XXX**

**DESCRIPTION**

An elegantly shaped formed linear diffuser in a choice of cast acrylic and faux finishes is accentuated with a translucent upper and white lower diffuser for maximum ambient light output.

**Pack:** Bulk Per Order



Top Screw Mount Locations Specified by Customer

**DIMENSIONS**

Nominal Size	A	B	C
A	4.00"	28.00"	5.25"
B	4.00"	40.00"	5.25"
C	4.00"	52.00"	5.25"

**ORDERING INFORMATION**

**Example:** VAN001-B-300-SBF, Health Care Vanity, 3' Size, Beige Alabaster Diffuser With Sanded Finish

Series	Size	Finishes	Diffuser Finishes	Mounting
VAN001	A-2' (for 2 17W T8)	214-Alabaster	SBF-Sanded	V3 (Lens Mounts Via Top Screws Only)
	B-3' (for 2 25W T8)	215-Marble	Blank-Smooth	
	C-4' (for 2 32W T8)	216-Rice Paper	300-Beige Alabaster	
		301-White Alabaster		