

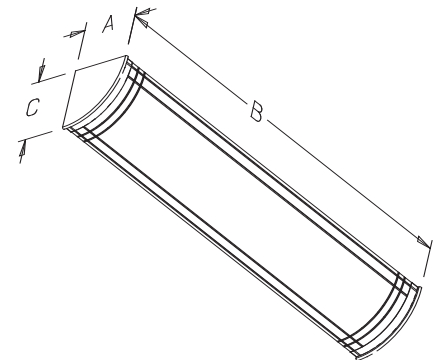
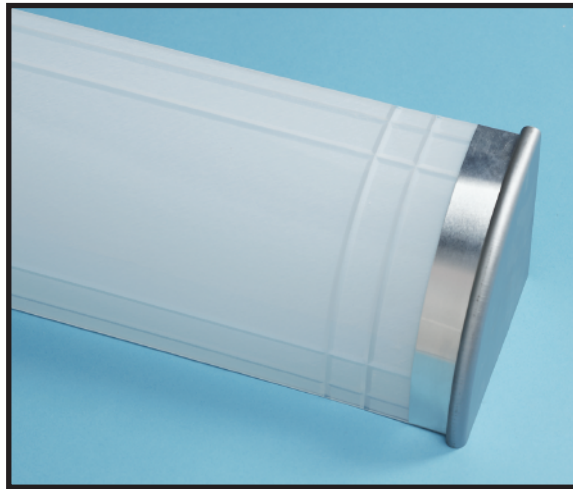
Cut Etched Scoop Vanity

VAN016-X-010

DESCRIPTION

A cut etched scoop sanded vanity diffuser is mated with brushed nickel end caps.

Pack: Bulk Per Order



DIMENSIONS

Nominal Size	A	B	C
A	5.50"	25.00"	5.50"
B	5.50"	37.00"	5.50"
C	5.50"	49.00"	5.50"

ORDERING INFORMATION

Example: VAN016-A-010, Cut Etched Scoop Vanity, 2' Size, With Brushed Nickel End Caps

Series	Size	Finishes	Mounting
VAN016	A-2' (for 2 17W T8)	010-Brushed Nickel	V1 (Lens Mounts Using RLR End Cap Bath Bar Spring Clip)
	B-3' (for 2 25W T8)		
	C-4' (for 2 32W T8)		